

FAG

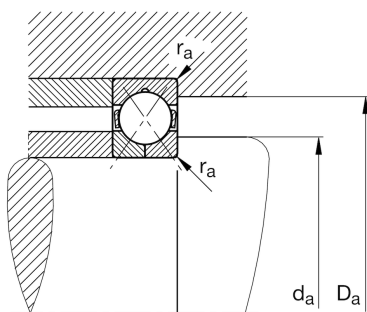
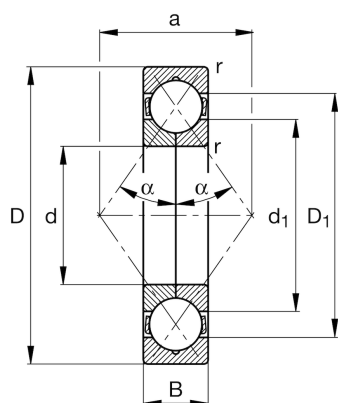
## QJ216-XL-MPA

Four-point contact bearing

Schaeffler ID:  
0167423200000Four point contact bearing QJ2..-XL-MPA,  
X-life, solid brass cage

X-life

## Technical information



## Main Dimensions &amp; Performance Data

d	80 mm	Bore diameter
D	140 mm	Outside diameter
B	26 mm	Width
$C_r$	136.000 N	Basic dynamic load rating, radial
$C_{0r}$	137.000 N	Basic static load rating, radial
$C_{ur}$	9.700 N	Fatigue load limit, radial
$n_G$	9.400 1/min	Limiting speed
$n_{gr}$	4.250 1/min	Reference speed
	1,735 kg	Weight

## Dimensions

$r_{min}$	2 mm	Minimum chamfer dimension
$D_1$	119,6 mm	Shoulder diameter outer ring
$d_1$	100,9 mm	Shoulder diameter inner ring
a	77 mm	Distance between the apexes of the pressure cones
$\alpha$	35 °	Contact angle

## Mounting dimensions

$d_{a min}$	91 mm	Minimum diameter shaft shoulder
$D_{a max}$	129 mm	Maximum diameter of housing shoulder
$r_{a max}$	2 mm	Maximum fillet radius

## Temperature range

$T_{min}$	-30 °C	Operating temperature min.
$T_{max}$	150 °C	Operating temperature max.